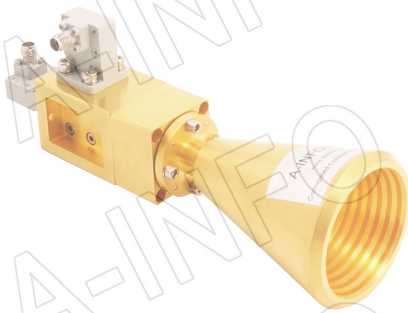


For reference only. See data sheet for the detailed specifications.

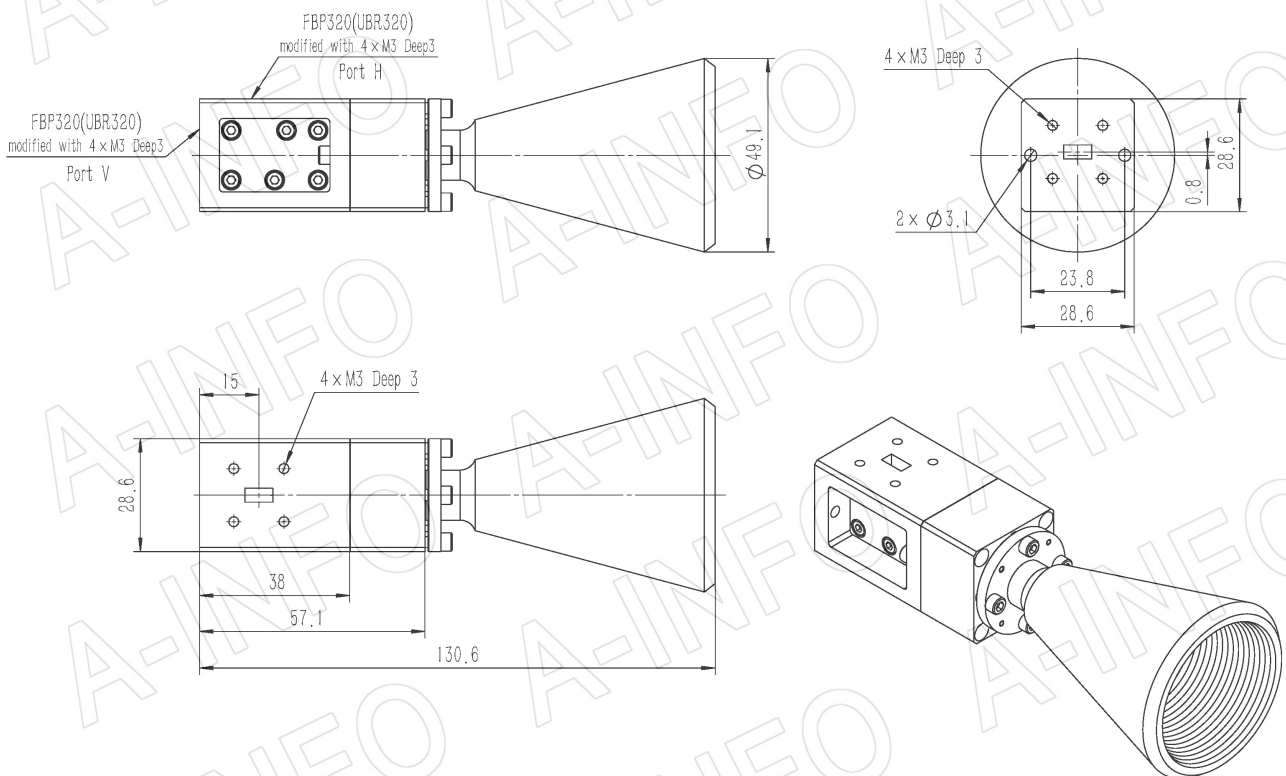
## Technical Specification



|                            |   |
|----------------------------|---|
| Frequency Range(GHz)       | 30.0 – 40.0                                       |
| Waveguide                  | WR28  |
| Gain(dBi)                  | 20 Typ.   |
| Polarization               | Dual Linear                                       |
| 3dB Beamwidth(deg)         | E Plane: 15 Typ.                                  |
|                            | H Plane: 16 Typ.                                  |
| Cross Pol. Isolation(dB)   | 40 Typ.   |
| Port to Port Isolation(dB) | 40 Typ. ; 30 Min.                                 |
| VSWR                       | A Type: 1.80:1 Typ.                               |
|                            | C Type: 1.80:1 Typ.                               |
| Output                     | A Type: FBP320(UBR320)<br>(modified with 4xM3 D3) |
|                            | C Type: 2.92mm-Female<br>or 2.4mm-Female          |
| Material                   | Cu  |
| Finish                     | Gold Plated, Gray Paint                           |
| Size(mm)                   | A Type: 49.1 x 49.1 x 130.6                       |
|                            | C Type: 49.1 x 62.9 x 154.6                       |
| Net Weight(Kg)             | A Type: 0.47 Around                               |
|                            | C Type: 0.54 Around                               |

## Outline Drawing (Size: mm)

FBP320 Output (P/N: LB-CH-28-20-T06-A)



**AINFO Inc.**

China(Beijing): Tel: (+86) 10-6266-7326,  
China(Chengdu): Tel: (+86) 28-8519-2786,  
USA : Tel: (+1) 949-639-9688,

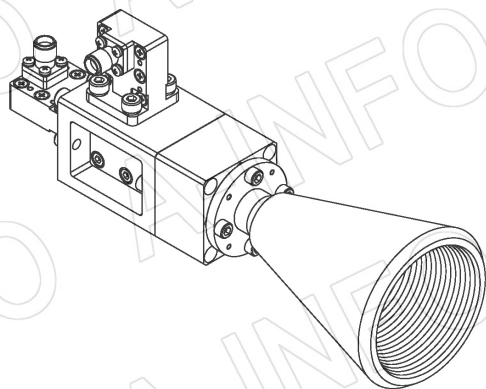
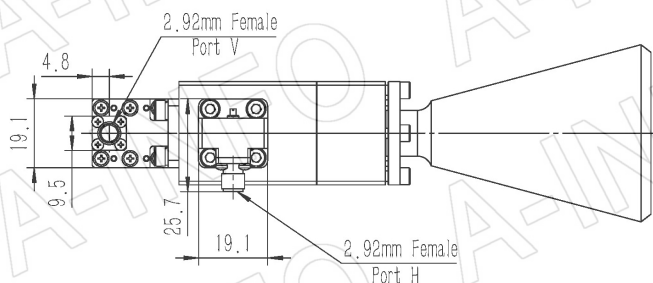
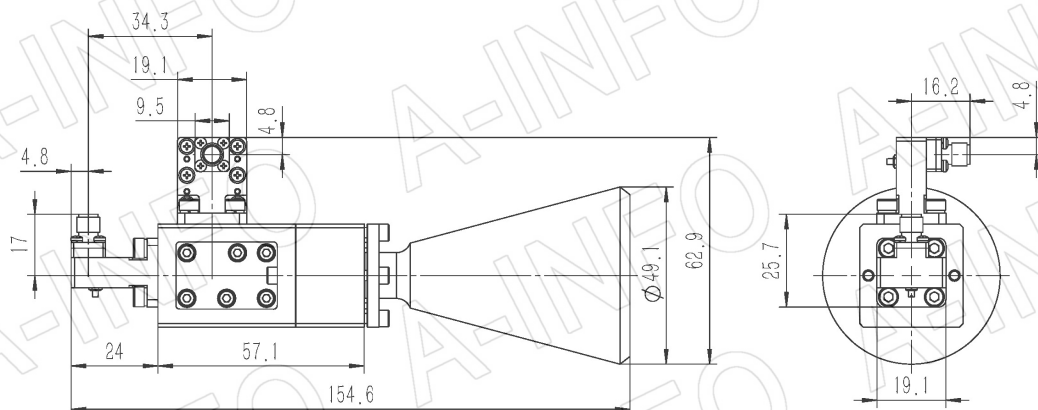
Page 1 of 11

(+86) 10-6266-7327 Fax: (+86) 10-6266-7379  
(+86) 28-8519-3044 Fax: (+86) 28-8519-3068  
(+1) 949-639-9608 Fax: (+1) 949-639-9670

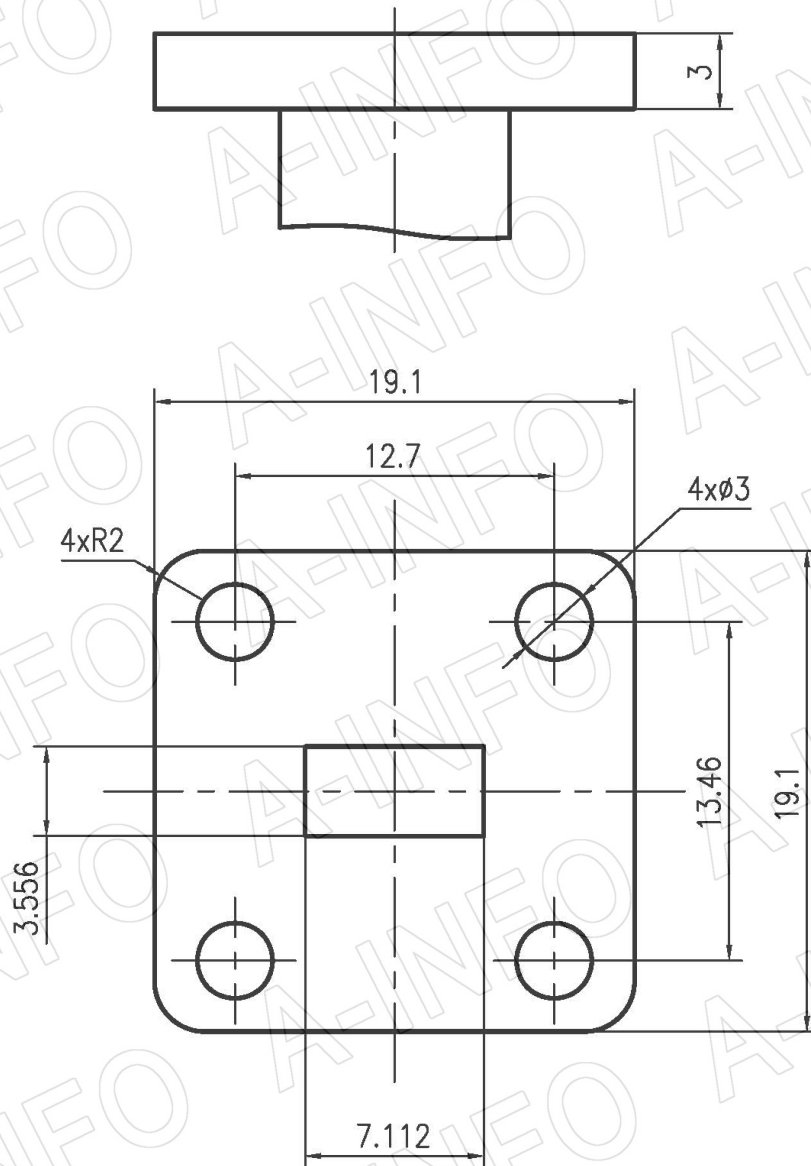
Website: [www.ainfoinc.com](http://www.ainfoinc.com)  
Email: [sales@ainfoinc.com](mailto:sales@ainfoinc.com)

2.92mm-Female Output (P/N: LB-CH-28-20-T06-C-KF)

For 2.4mm-Female output outline drawing, please contact A-INFO.



## Flange Drawing (Size: mm)



**FBP320**

### AINFO Inc.

China(Beijing): Tel: (+86) 10-6266-7326,  
China(Chengdu): Tel: (+86) 28-8519-2786,  
USA : Tel: (+1) 949-639-9688,

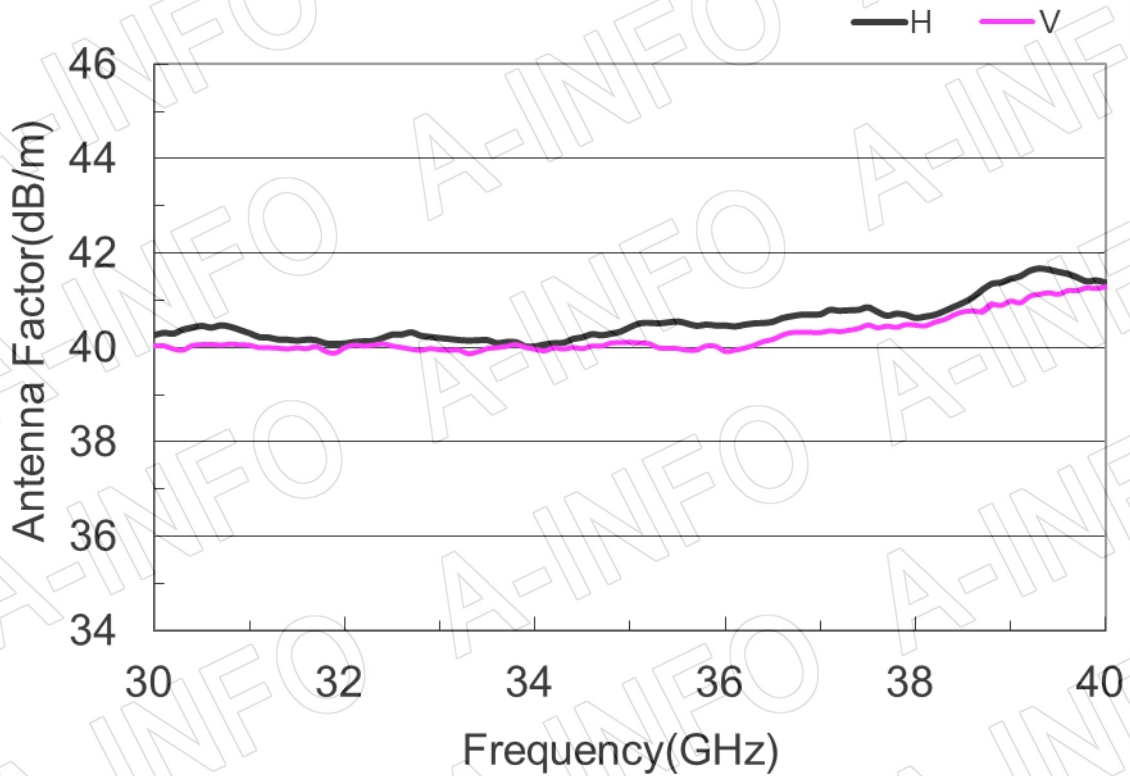
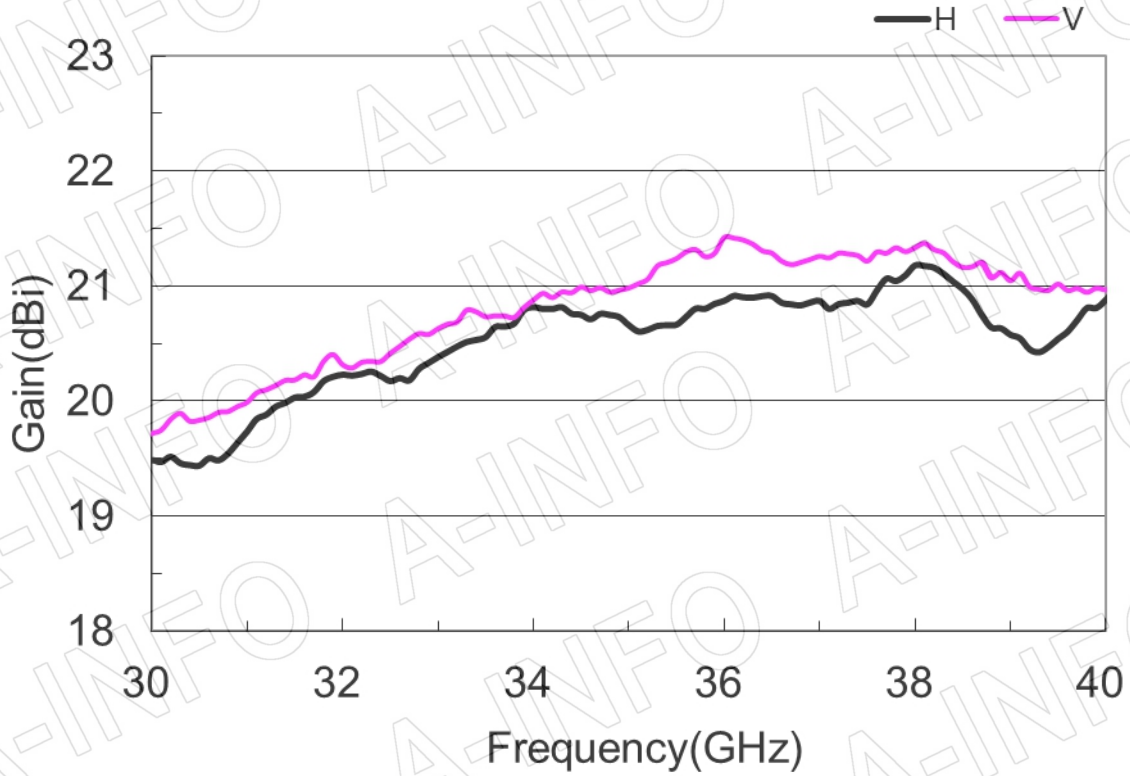
Page 3 of 11

(+86) 10-6266-7327 Fax: (+86) 10-6266-7379  
(+86) 28-8519-3044 Fax: (+86) 28-8519-3068  
(+1) 949-639-9608 Fax: (+1) 949-639-9670

Website: [www.ainfoinc.com](http://www.ainfoinc.com)  
Email: [sales@ainfoinc.com](mailto:sales@ainfoinc.com)

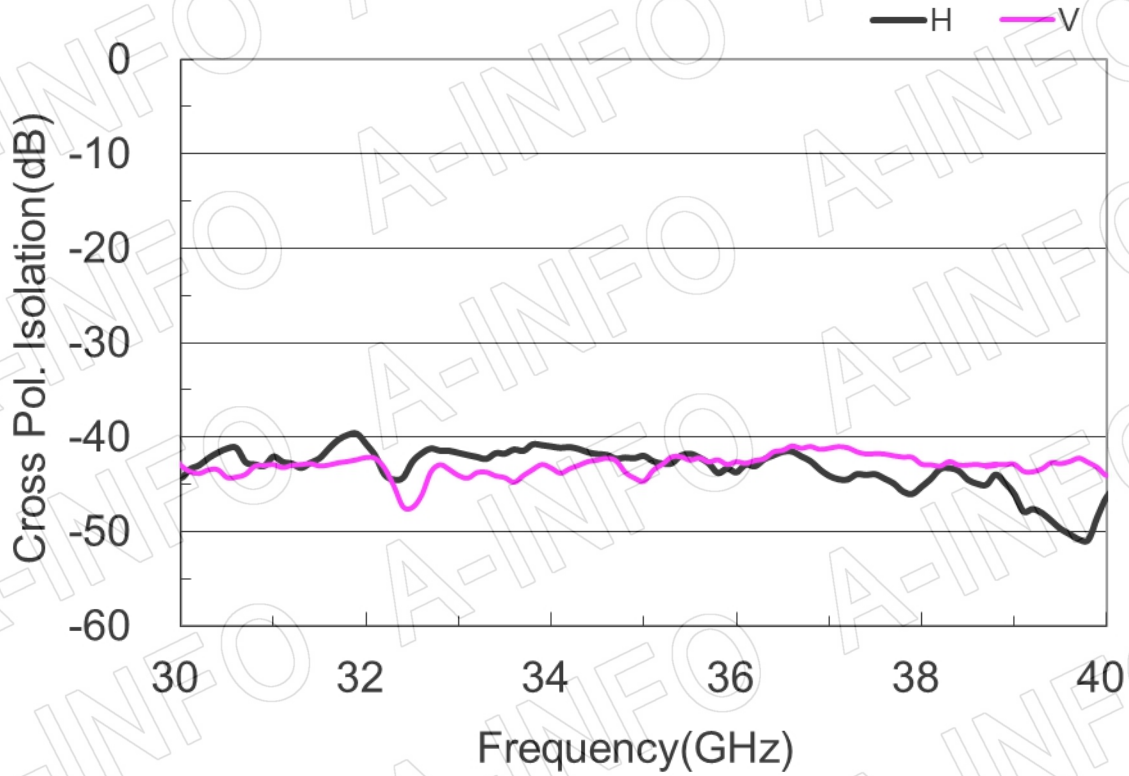
## Test Results

### 1. Gain & Antenna Factor

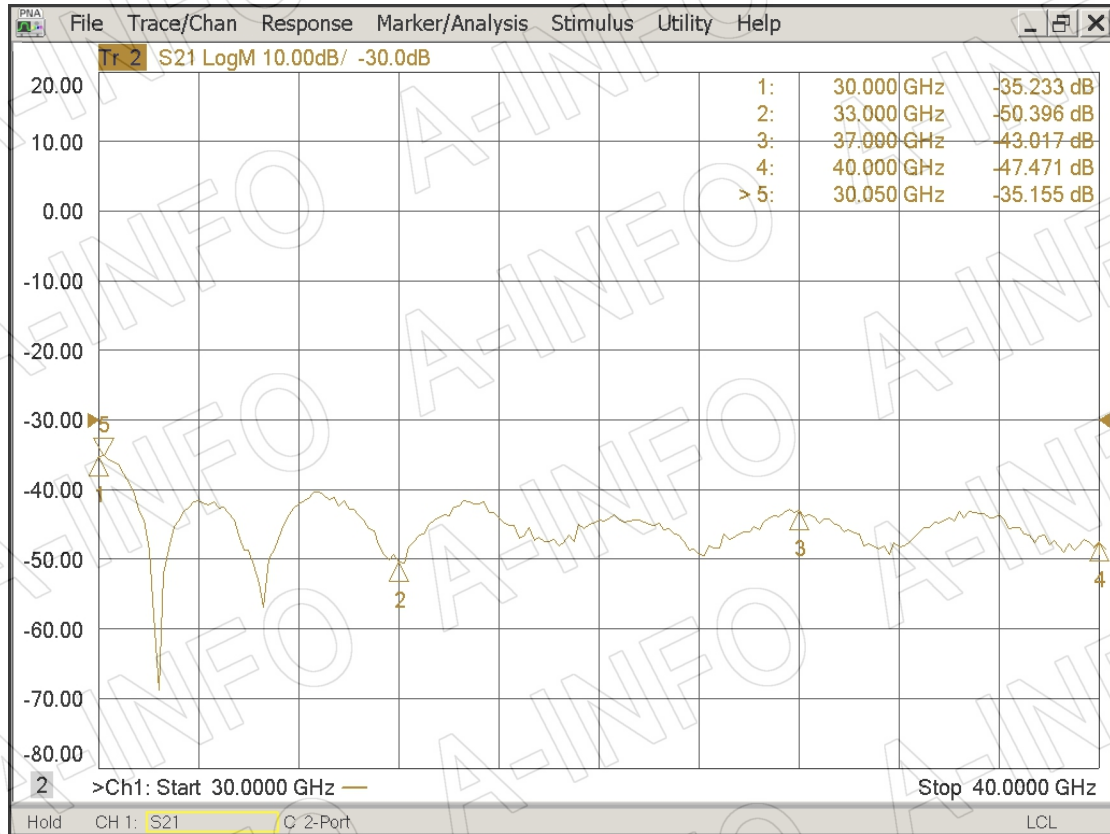




## 2. Cross Polarization Isolation

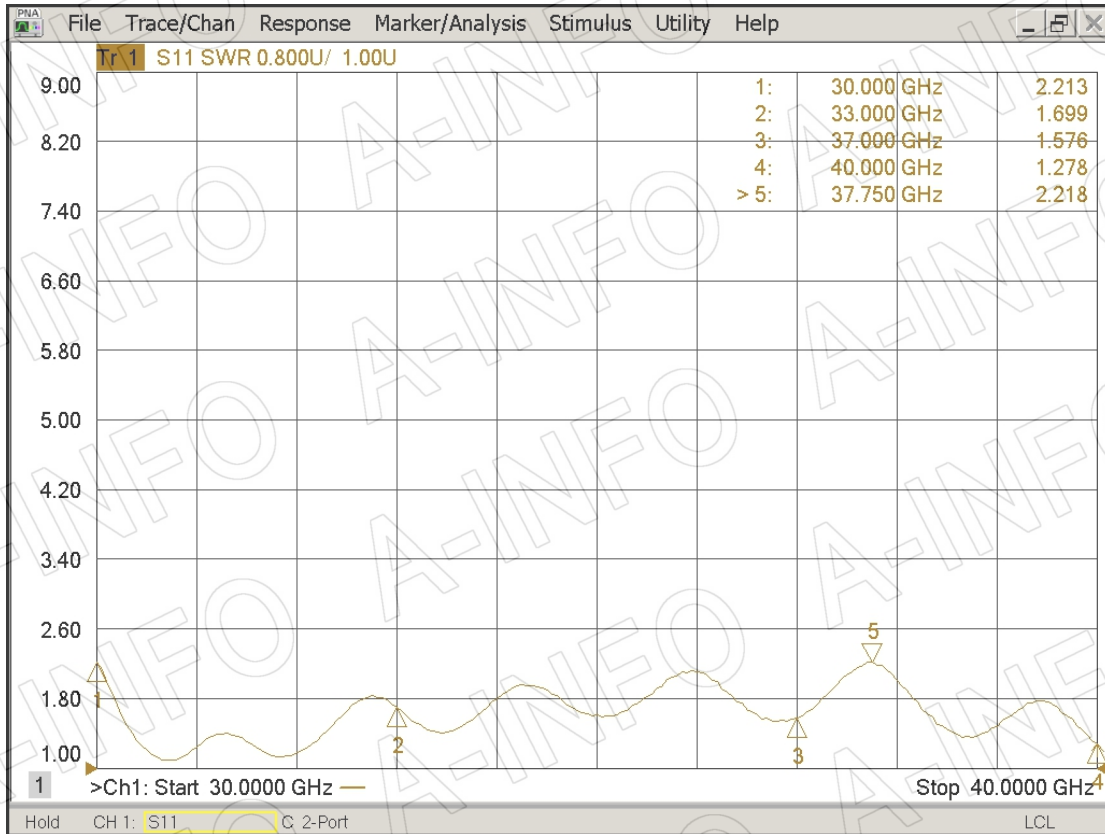


## 3. Port to Port Isolation

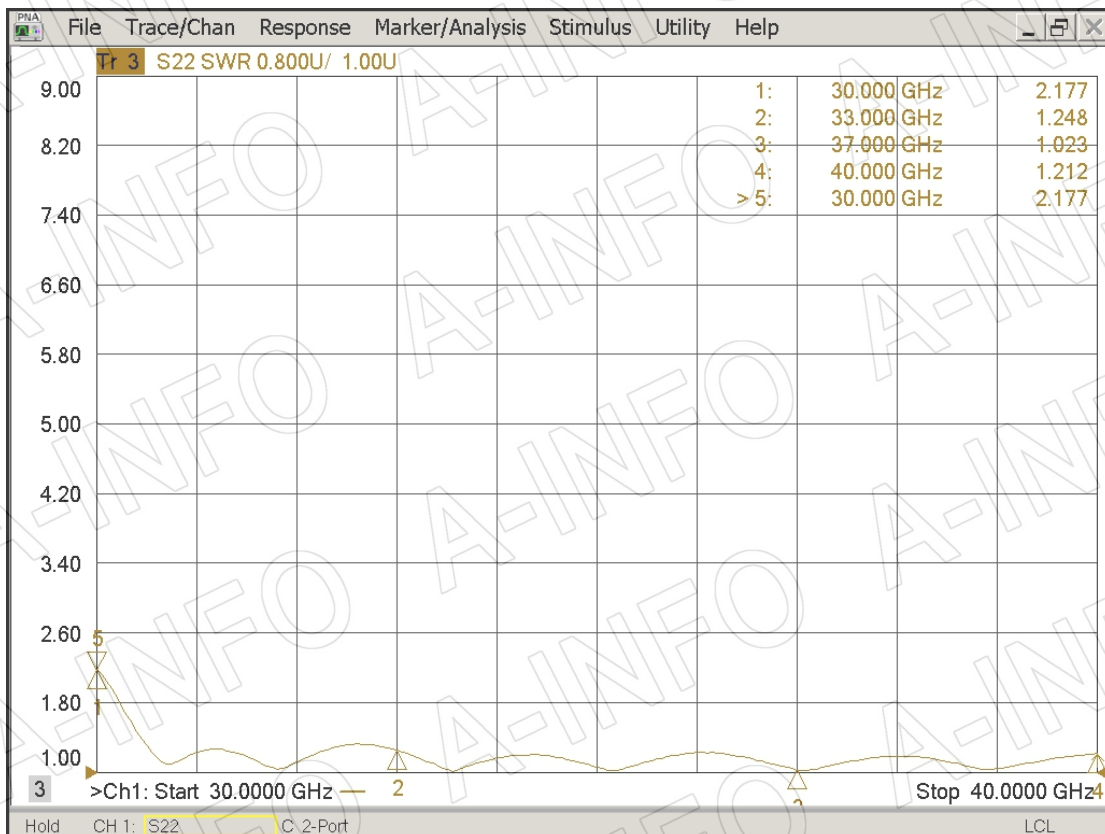


## 4. VSWR\_A Type

### Port-H

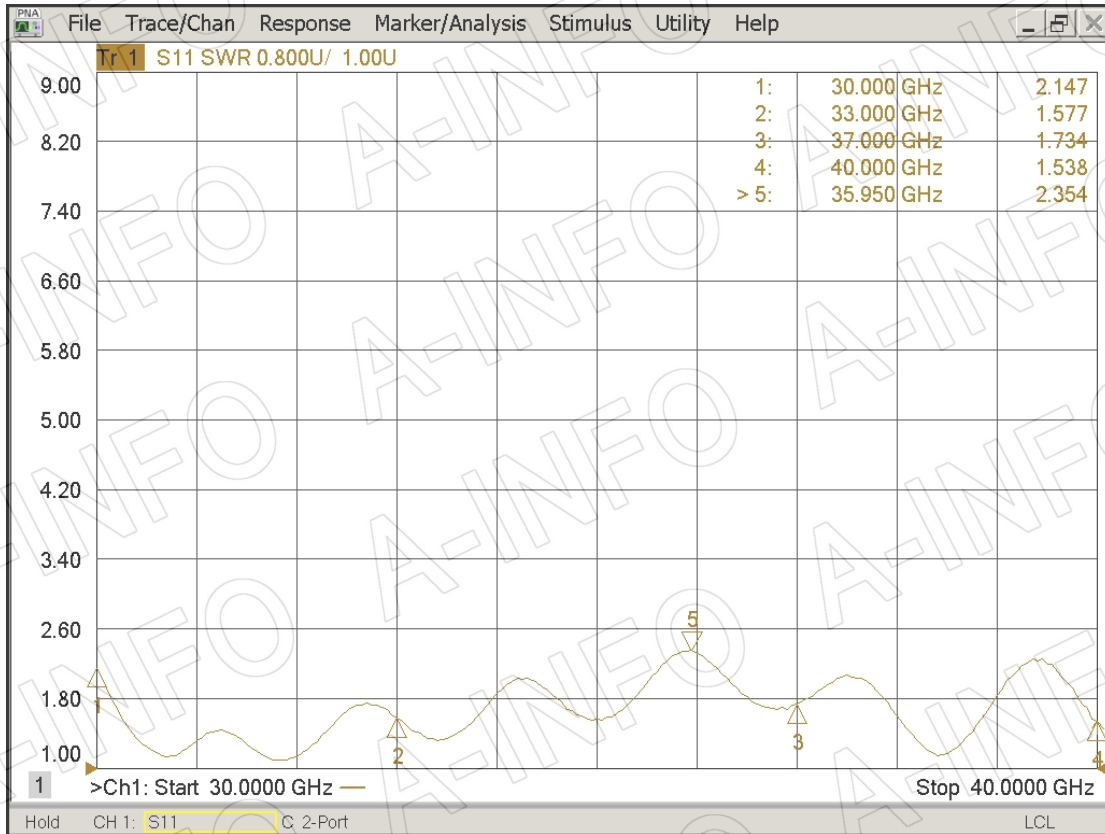


### Port-V

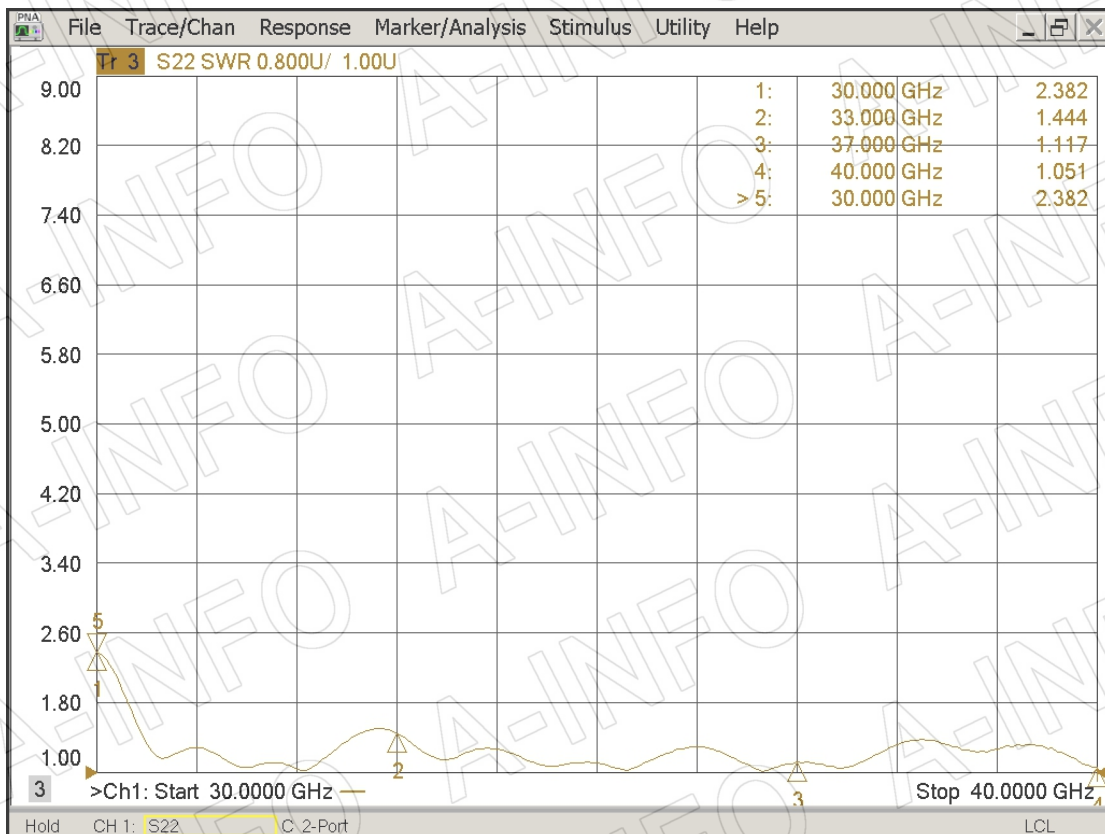


## VSWR\_C Type

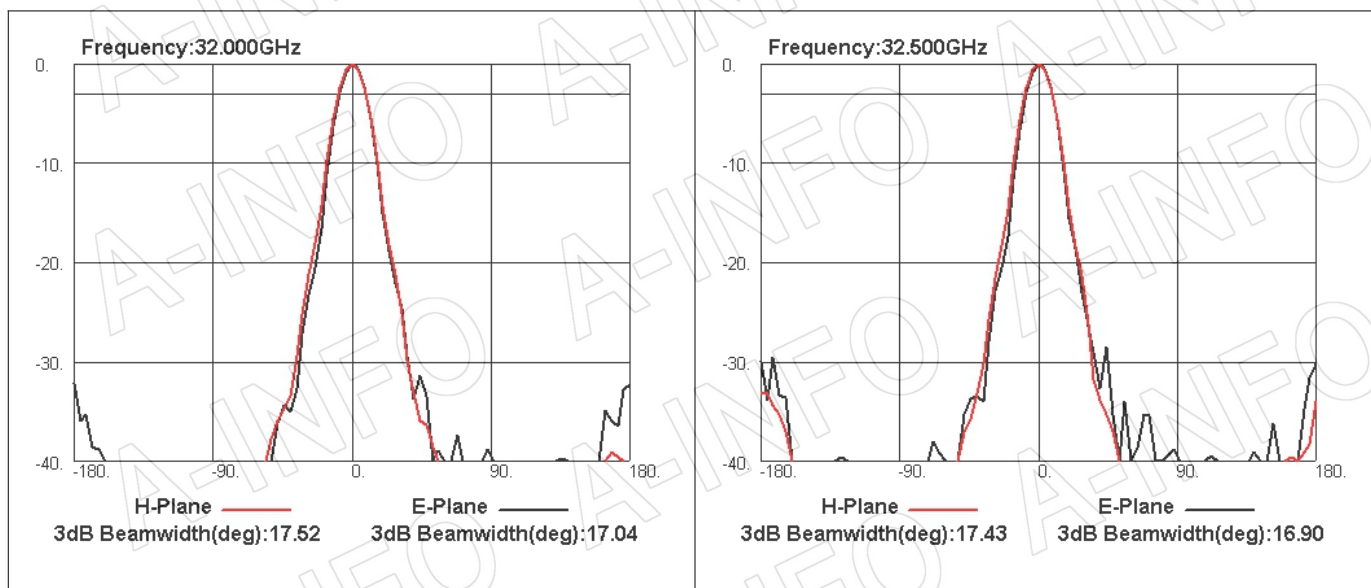
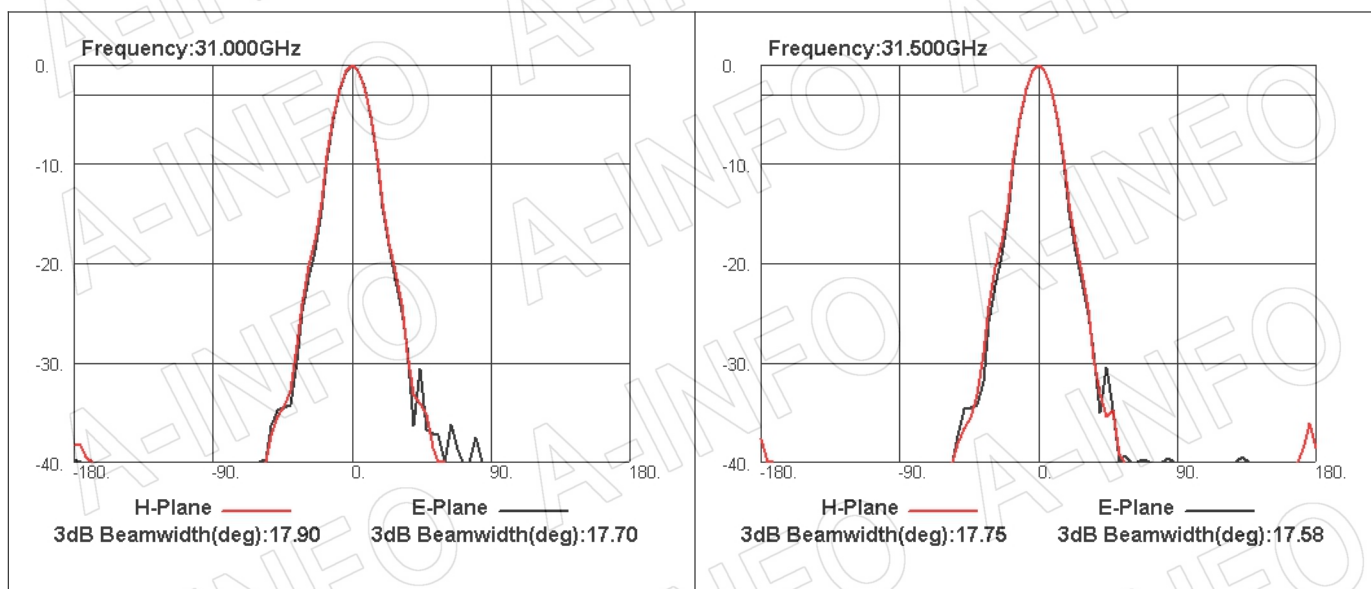
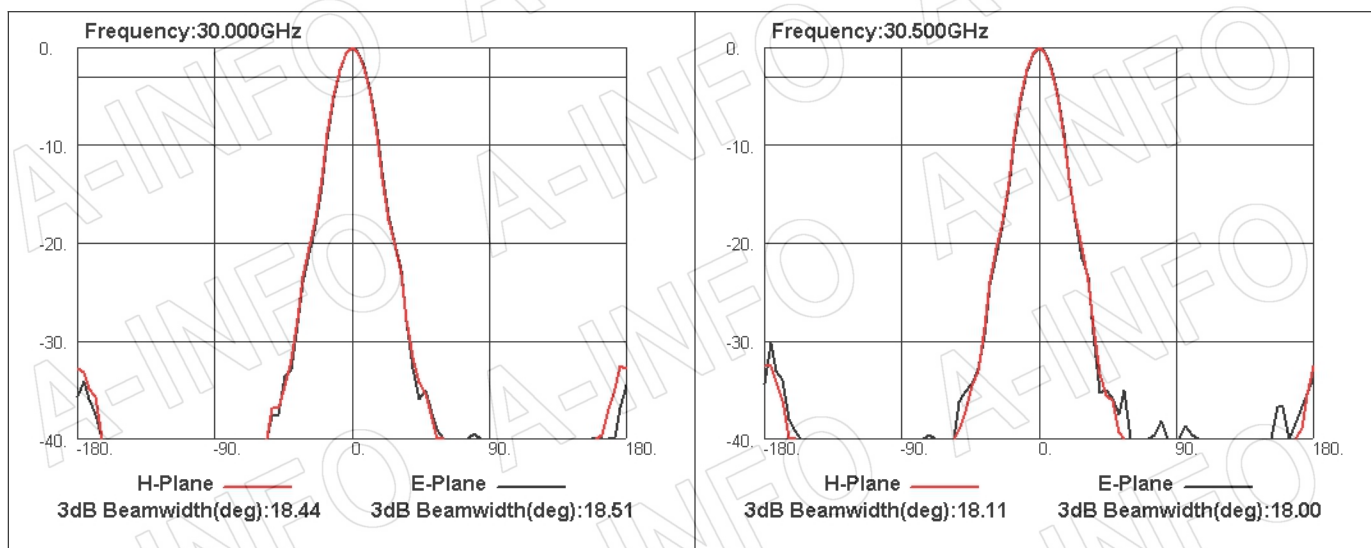
### Port-H



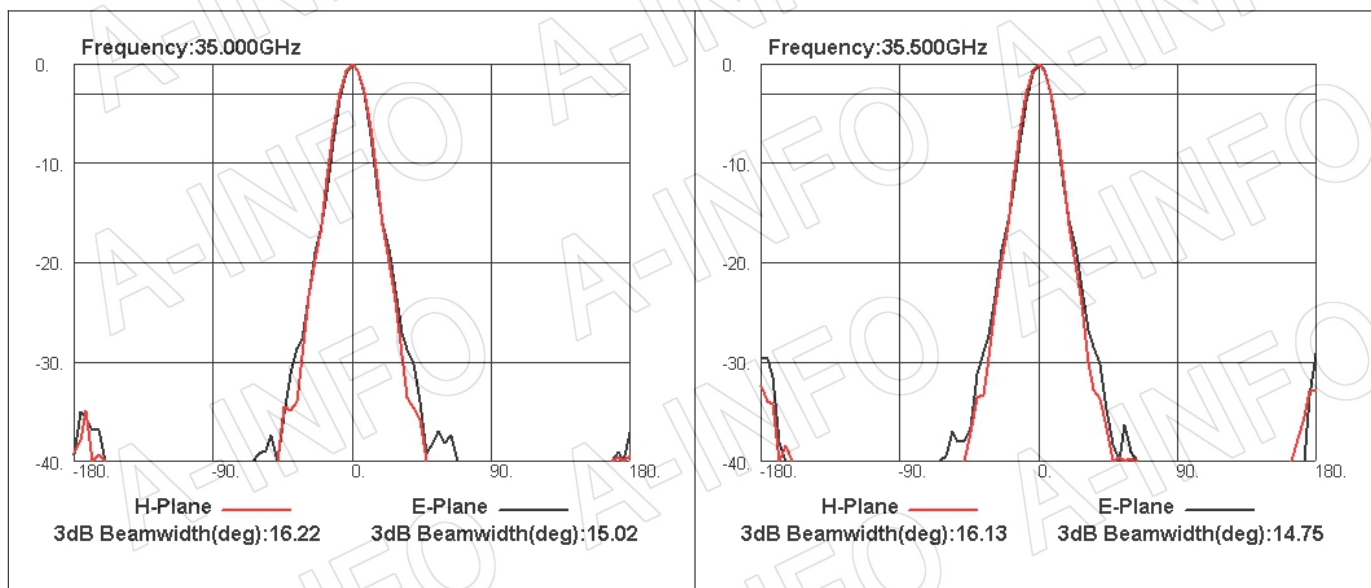
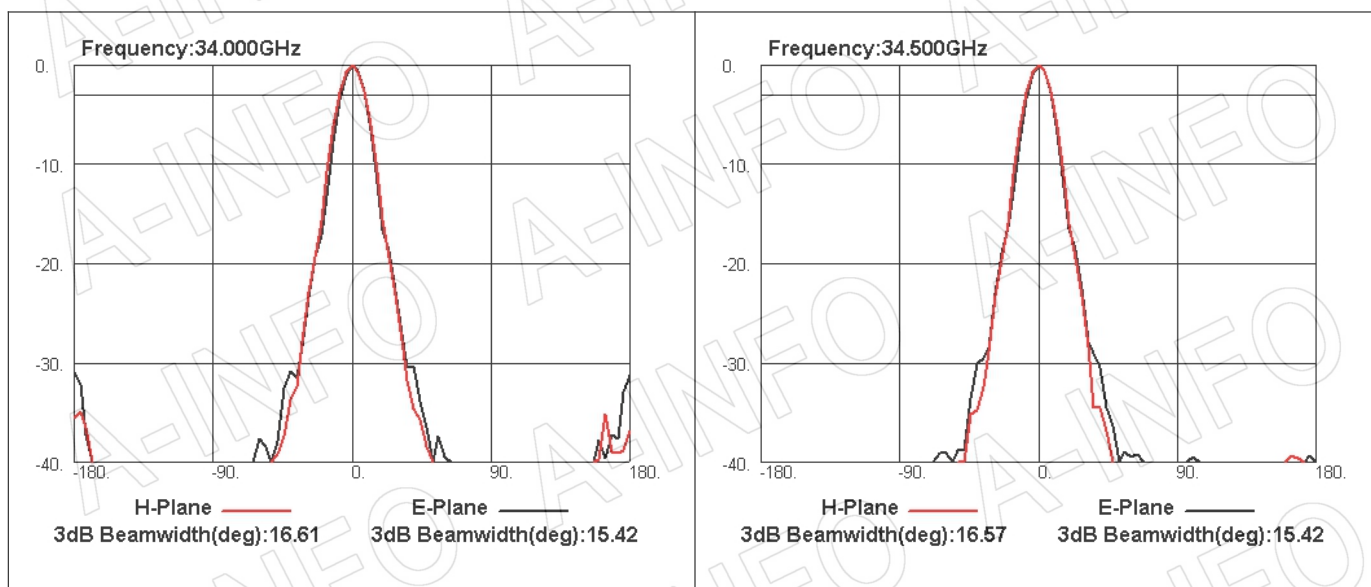
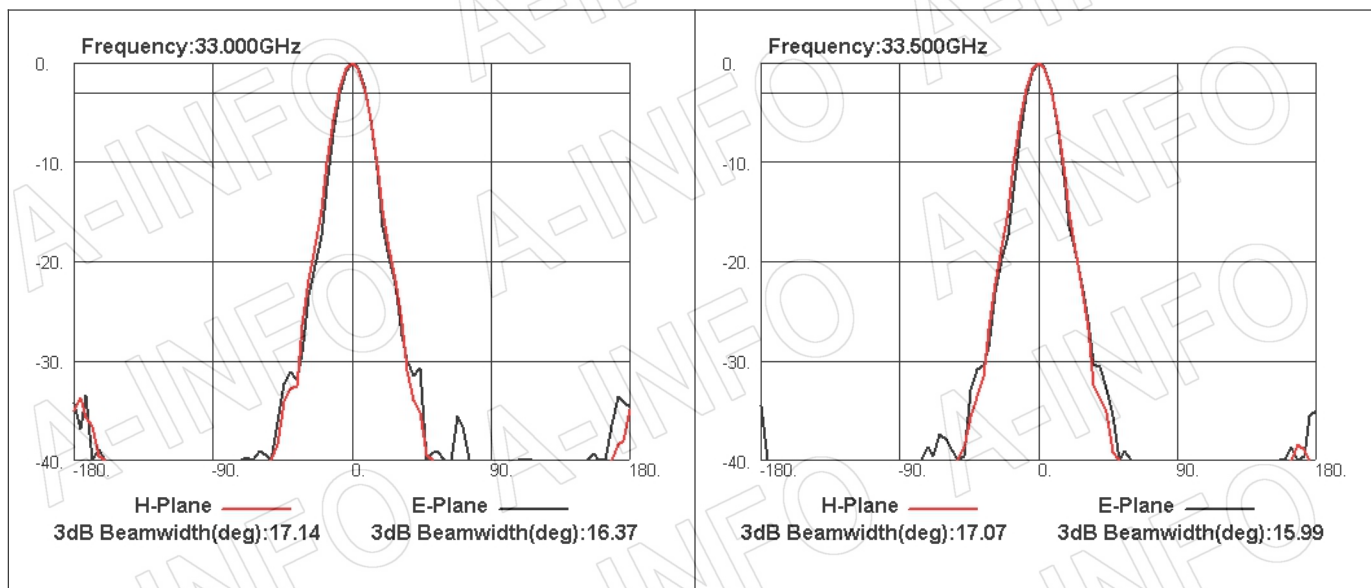
### Port-V



## 5. Pattern







## AINFO Inc.

China(Beijing):  
China(Chengdu):  
USA :

Tel: (+86) 10-6266-7326,  
Tel: (+86) 28-8519-2786,  
Tel: (+1) 949-639-9688,

(+86) 10-6266-7327  
(+86) 28-8519-3044  
(+1) 949-639-9608

Fax: (+86) 10-6266-7379  
Fax: (+86) 28-8519-3068  
Fax: (+1) 949-639-9670

Website: [www.ainfoinc.com](http://www.ainfoinc.com)  
Email: [sales@ainfoinc.com](mailto:sales@ainfoinc.com)

